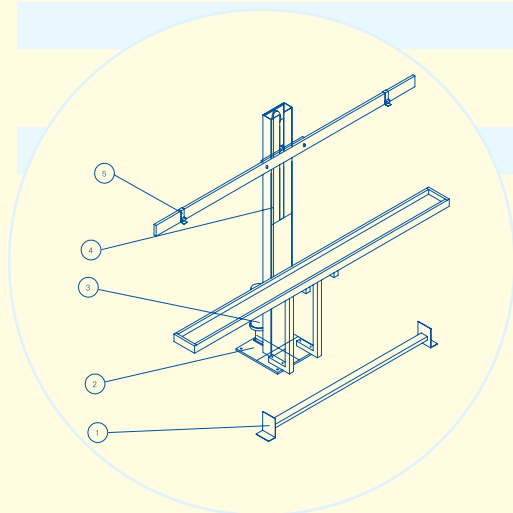




**BS 2400**

**VENETIAN BLINDS ASSEMBLY STAND**

cat: 70982401



**Technical data and details**

UP / DOWN SPEED	22m / min
MAX HEIGHT	4100 mm/ 5600 mm (standard 4100 mm)
BLIND SUPPORT PROFILE LENGTH	2500 mm
WEIGHT	125 kg.

- ① Stand operation photo electric switch
- ② Stand base
- ③ Drive unit
- ④ Measuring scale for blind height
- ⑤ Head rail support hook